

# VLP Series

## Linear Position Transducers

- Standard Mountings • High Linearity • Raychem Cable
- Long Life • Outstanding Repeatability
- Excellent Temperature Range • Elastomer Damped Wipers

### VLP

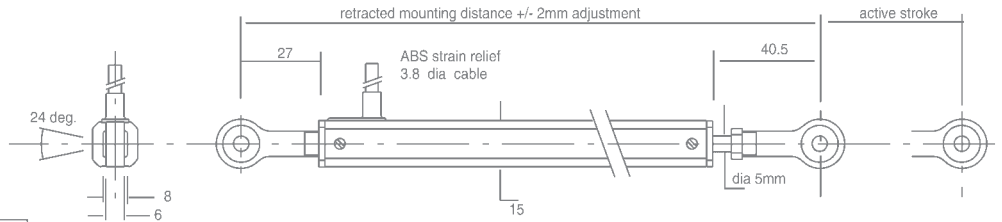
### INDUSTRIAL



Retracted one end, extended other



spherical bearings alloy body  
mounting holes dia 5.0 (+0.05/-0.00)



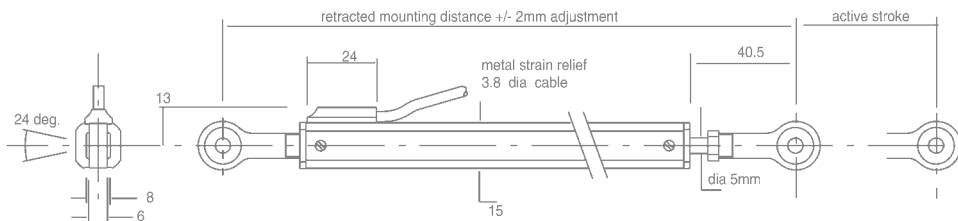
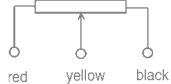
VLP	VLP25	VLP50	VLP75	VLP100	VLP150SE	VLP150	VLP200	VLP250	VLP290
Electrical Stroke	27mm	52mm	77mm	102mm	152mm	152mm	202mm	252mm	292mm
Retracted Mounted Distance +/-2mm	173mm	198mm	223mm	248mm	273mm	298mm	351mm	401mm	464mm
Nominal Resistance +/-20%	2.5K	5K	5K	5K	10K	10K	10K	10K	11.6K
Linearity	0.2%	0.2%	0.2%	0.1%	0.1%	0.1%	0.1%	0.1%	0.1%

Life Expectancy	> 25 Million Cycles
Operational Speed	10 m/s Max
Environmental Sealing	'O' ring and felt shaft seal
Temperature Range	-40 to +100°C
Cable Type	Raychem 55, 24 AWG
Cable Length	600mm (screened)
Repeatability	0.01mm
Maximum Supply Voltage	42VDC
Mechanical Stroke	+1.5mm of electrical stroke

### VLPM

### AUTOSPORTS

Retracted one end, extended other

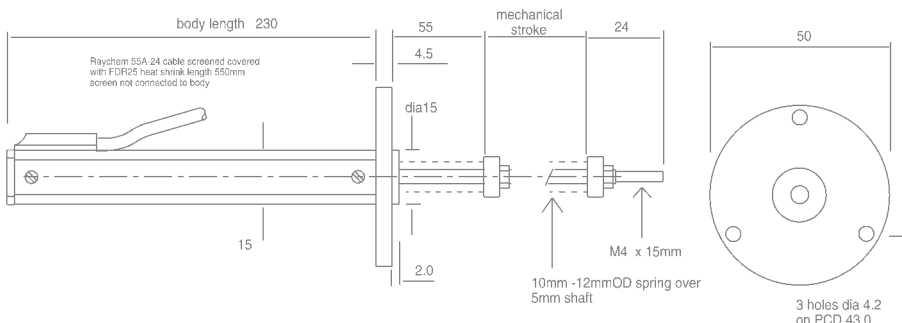


VLPM	VLPM25	VLPM50	VLPM75	VLPM100	VLPM150SE	VLPM150	VLPM200	VLPM250	VLPM290
Electrical Stroke	27mm	52mm	77mm	102mm	152mm	152mm	202mm	252mm	292mm
Retracted Mounted Distance +/-2mm	173mm	198mm	223mm	248mm	273mm	298mm	351mm	401mm	464mm
Nominal Resistance +/-20%	2.5K	5K	5K	5K	10K	10K	10K	10K	11.6K
Linearity	0.2%	0.2%	0.2%	0.1%	0.1%	0.1%	0.1%	0.1%	0.1%

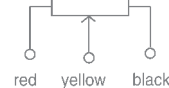
Life Expectancy	> 25 Million Cycles
Operational Speed	10 m/s Max
Environmental Sealing	'O' ring and felt shaft seal
Temperature Range	-40 to +125°C
Cable Type	Raychem 55, 24 AWG
Cable Length	600mm (screened)
Repeatability	0.01mm
Maximum Supply Voltage	42VDC
Mechanical Stroke	+1.5mm of electrical stroke

### VLPSRF

### SPRING RETURN



Retracted one end, extended other



→ SPRING EXTENSION

VLPSRF	VLPSRF25	VLPSRF50	VLPSRF75	VLPSRF100	VLPSRF150SE	VLPSRF150
Electrical Stroke	27mm	52mm	77mm	102mm	152mm	152mm
Retracted Mounted Distance +/-2mm	173mm	198mm	223mm	248mm	273mm	298mm
Nominal Resistance +/-20%	2.5K	5K	5K	5K	10K	10K
Linearity	0.2%	0.2%	0.2%	0.1%	0.1%	0.1%

Life Expectancy	15 Million Cycles
Operational Speed	10 m/s Max
Environmental Sealing	'O' ring and felt shaft seal
Temperature Range	-40 to +100°C
Cable Type	Raychem 55, 24 AWG
Cable Length	600mm (screened)
Repeatability	0.01mm
Maximum Supply Voltage	42VDC
Mechanical Stroke	+1.5mm of electrical stroke

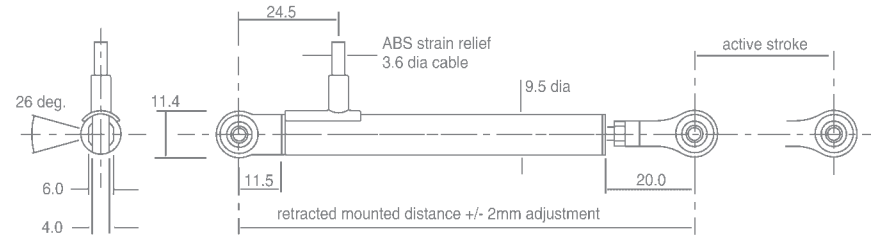


# ELP Series

## Slimline Linear Position Transducer

- Standard Mountings • Excellent Linearity • Raychem Cable • Long Life
- Outstanding Repeatability • Wide Temperature Range
- Sealed to IP67 • Elastomer Damped Wipers

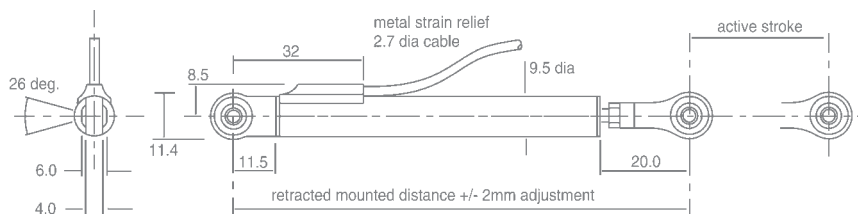
ELP
INDUSTRIAL



ELP Industrial	ELP12.5	ELP25	ELP50	ELP75
Electrical Stroke	12.5mm	25.0mm	50.0mm	75.0mm
Resistance +/-20%	1.25K	2.5K	5.0K	7.5K
Retracted Mounting Distance	82.5mm	95mm	120mm	145mm
Weight (grams)	24	26	29	33

Mechanical Life	> 25 million
Operational Speed	10 m/s Max
Environmental Sealing	IP65
Temperature Range	-30°C to +100°C
Independent Linearity	+/-0.5%
Recommended Wiper Current:	< 10µA
Cable Type	24 AWG Raychem 55 wire, braid, 0.5M FDR25 sleeve
Cable Length	500mm (SCREENED)
Mechanical Stroke	+1.5mm of electrical stroke

ELPM
AUTOSPORTS




ELP Motorsport	ELPM12.5	ELPM25	ELPM50	ELPM75
Electrical Stroke	12.5mm	25.0mm	50.0mm	75.0mm
Resistance +/-20%	1.25K	2.5K	5.0K	7.5K
Retracted Mounting Distance	82.5mm	95mm	120mm	145mm
Weight (grams)	24	26	29	33


Mechanical Life	> 25 million
Operational Speed	10 m/s Max
Environmental Sealing	IP67
Temperature Range	-30°C - to 150°C continuous, 175°C short term
Independent Linearity	+/-0.5%
Recommended Wiper Current	< 10µA
Cable Type	24 AWG Raychem 55 wire, VITON sleeve
Cable Length	500mm (SCREENED)
Mechanical Stroke	+1.5mm of electrical stroke

### ALTERNATIVE DESIGNS


Inclinder Linear Sensor



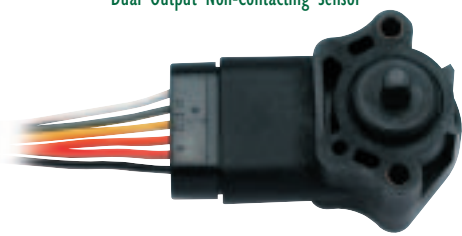
Dual Output Rotary Sensor



Hollow Shaft Rotary Sensors

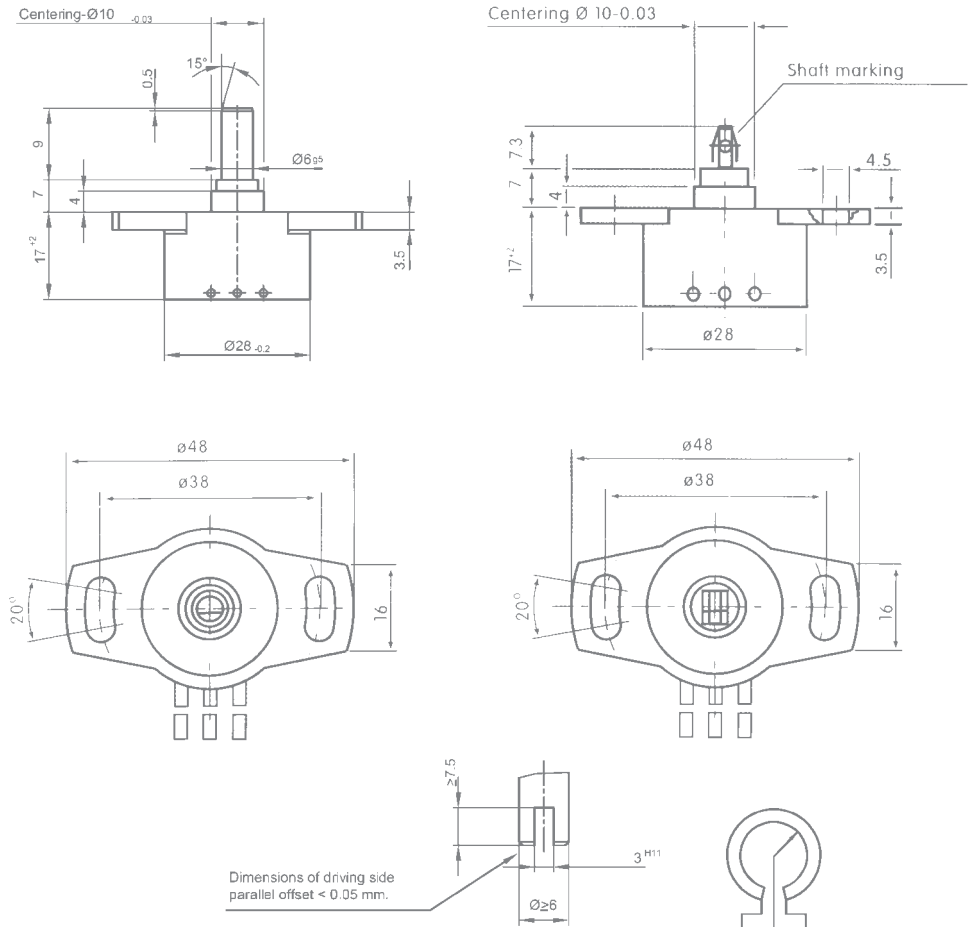
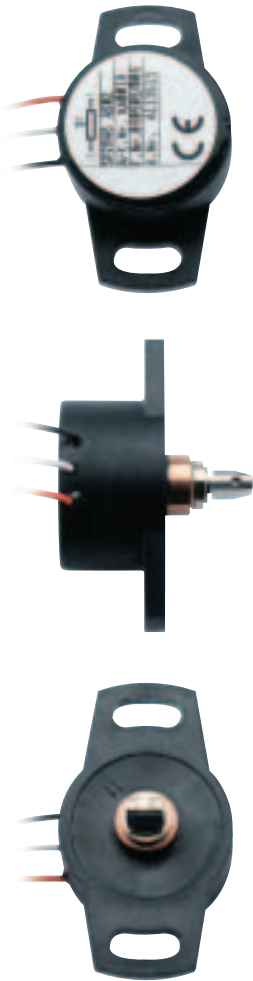


Dual Output Non-Contacting Sensor



# SP - ROTARY POSITION SENSOR

- Simple Mounting • Excellent Linearity • Sealed to IP66/67 • Long Life
- Wide Temperature Range • Outstanding Repeatability • Elastomer Damped Wipers



### SP2800 Series

Part Number	Electrical Angle +/-1°	Linearity +/-	Housing Material	Shaft Type	Nominal Resistance +/- 20%
SP2836s0002	100	1.0%	Celstran	6mm	3K
SP2836s0069	130	0.5%	Celstran	6mm	3K
SP2836a502	308	0.3%	Celstran	6mm	5K
SP2836s0065	345	0.3%	Celstran	6mm	5K
SP2846s0054	100	0.5%	Celstran	Push-on	3K
SP2846s0067	2 x 100	1.0%	Celstran	Push-on	2x3K
SP2846s0069	130	0.5%	Celstran	Push-on	3K
SP2846a502	308	0.3%	Celstran	Push-on	5K
SP2846s0065	345	0.3%	Celstran	Push-on	5K
SP2890s0054	100	0.5%	Aluminium	Push-on	3K
SP2890s0069	130	0.5%	Aluminium	Push-on	3K
SP2890s0065	345	0.3%	Aluminium	Push-on	5K

Life Expectancy	50 million cycles
Operational Speed	120 RPM
Environmental Sealing	IP65 (IP66/67 Option)
Temperature Range	-40°C to +150°C
Cable Type	Raychem 55, 22AWG
Cable Length	1000mm
Repeatability	0.01%
Maximum Supply Voltage	42VDC

# STRAIN RELIEVING BOOTS, SLEEVING & CONNECTORS

Inscale are able to offer a complete harnessing service, whether you require alternative cable lengths, additional sleeving or customer specified connector or boot.

